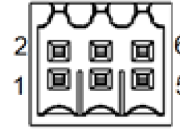
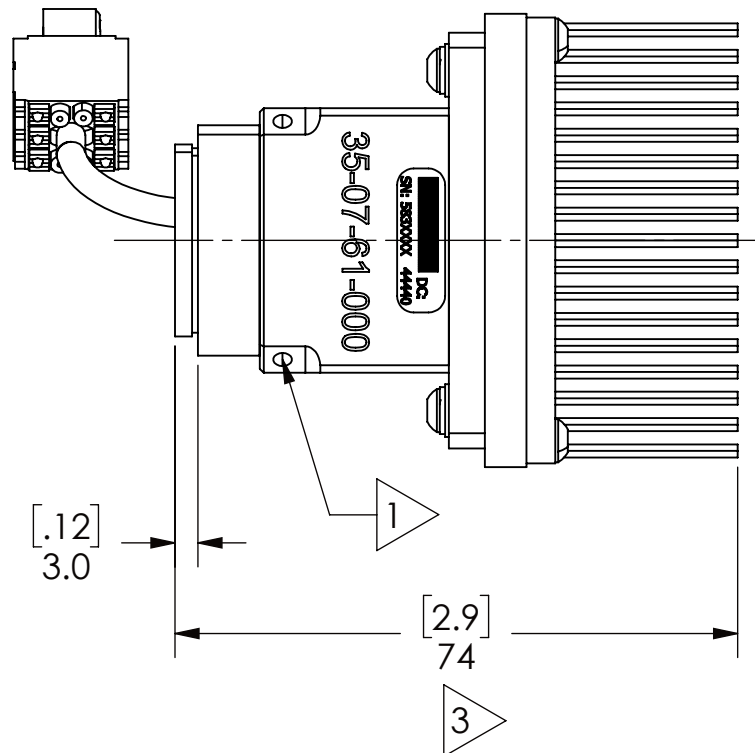
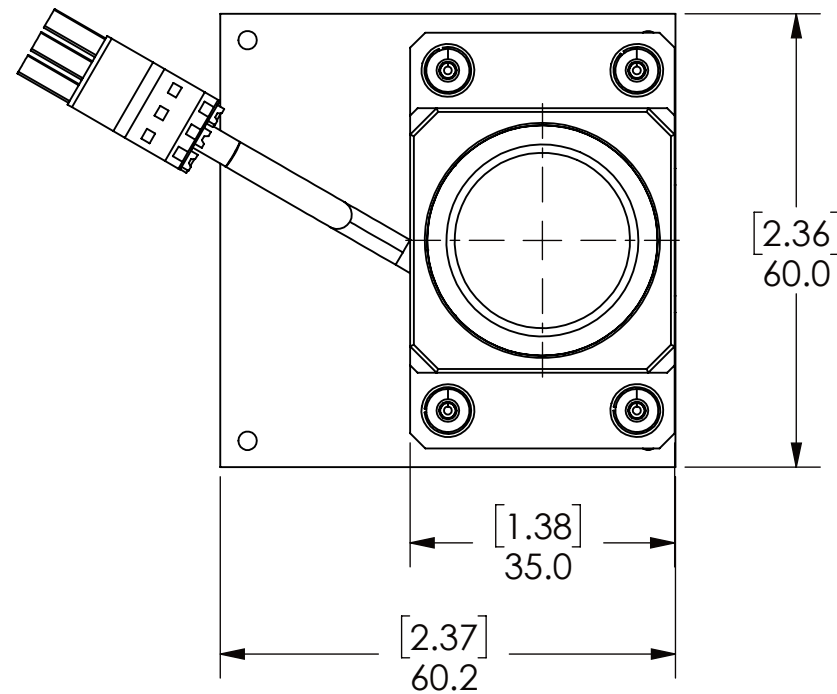


Pin #	Pin Name	Description	Direction
1	LED1_ANODE	LED1 Anode current output	O
2	LED2_ANODE	LED2 Anode current output	O
3,4	NC	Not Connected, do not connect	-
5	LED1_CATH	LED1 Cathode (return)	GND
6	LED2_CATH	LED2 Cathode (return)	GND

3A, 6.2V MAX FORWARD VOLTAGE
ILLUMINATOR POWER INTERFACE



END CONNECTOR MANUFACTURER: **WEIDMULLER**
CONNECTOR MANUFACTURE PN: **1277470000**



NOTES:

- 1 NYLON TIP SET SCREW (M3 X 0.5 THREAD) ADJUSTABLE
ALLOWS FOR HEAT SINK AND POWER CORD ORIENTATION (NO THREAD LOCKER APPLIED)
- 2. LED MANUFACTURE: **LUMINUS** PART#: **SST-70X-WCS-H50-LA651**
COLOR: WHITE
BEAM PATTERN: LAMBERTION
- 3 ADJUSTABLE, NOMINAL POSITION SHOWN SET FOR 10X MPLAN MICROSCOPE OBJECTIVE
- 4. DIMENSIONS IN [] ARE MILLIMETERS

ALL DIMENSIONS ARE REFERENCE	QIOPTIQ <small>Factorize for Innovation</small>	Excelitas, Inc.	8 Tractor Road Singapore 627969
UNITS:mm	TITLE: LED ILLUMINATOR 3 AMP		
SCALE:1:1	SIZE B	DWG. NO.	REV. A
SHEET 1 OF 1		35-07-61-000	