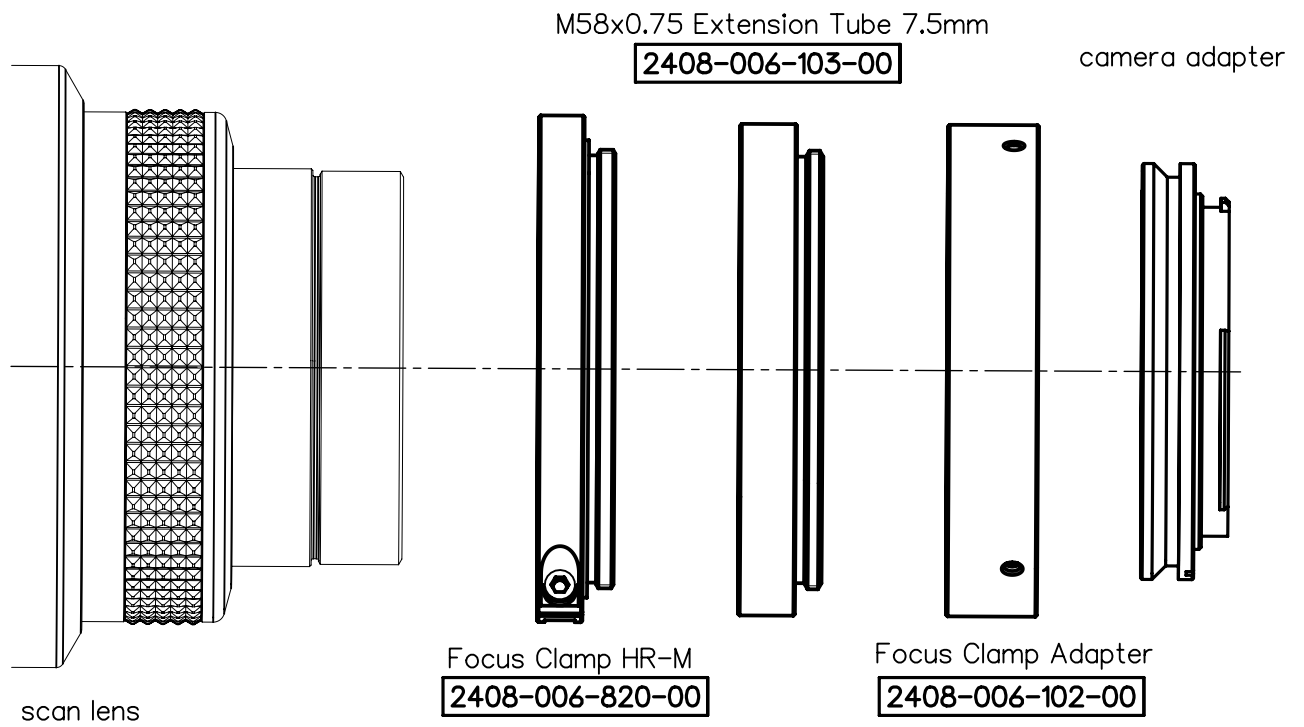


example of application



NX	EU-D		AL-T1A		US-D		US-ML		not export controlled	
	REV	ECC	DATE	APPROVED	GENERAL TOLERANCE OF DIMENSION, FORM, POS.	SURF. TREATMT	PDM Status		Freigabe	
PROTECTIVE NOTE "DIN ISO 16016" TO BE OBSERVED	a	Neuausg	04.08.22	Georgie	ISO 2768-mH		SCALE		1:1	
							MATERIAL			
					BASIC TOLERANCING PRINCIPLE		TITLE Focus Clamp HR			
					ISO 8015					
					FIRST ISSUE	DATE				
				CHKD	05.08.22	Stauder	DRAWING NO.		SHEET 1	
DIN A 4	ALL DIMENSIONS ARE IN MM AND INCLUDE SURFACE TREATMENT							2408-006-100-40-0001a		OF 1
						REPLACES				