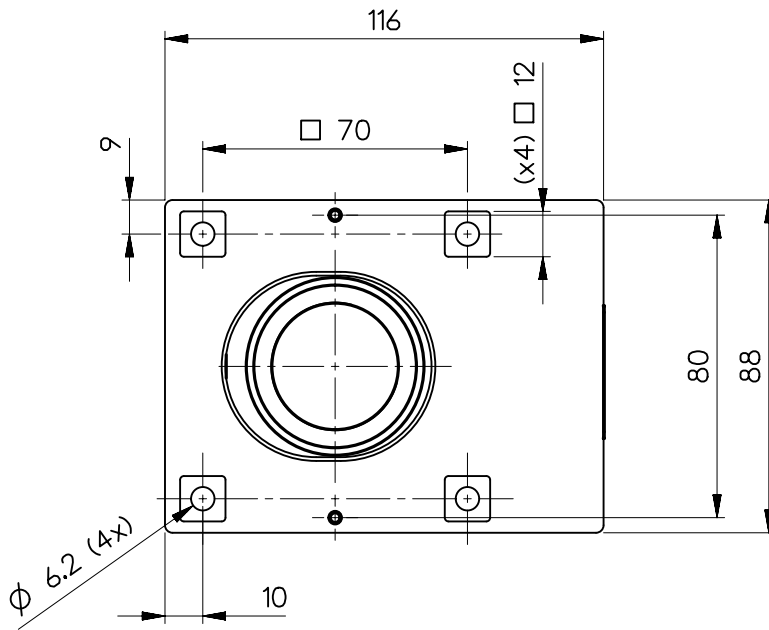
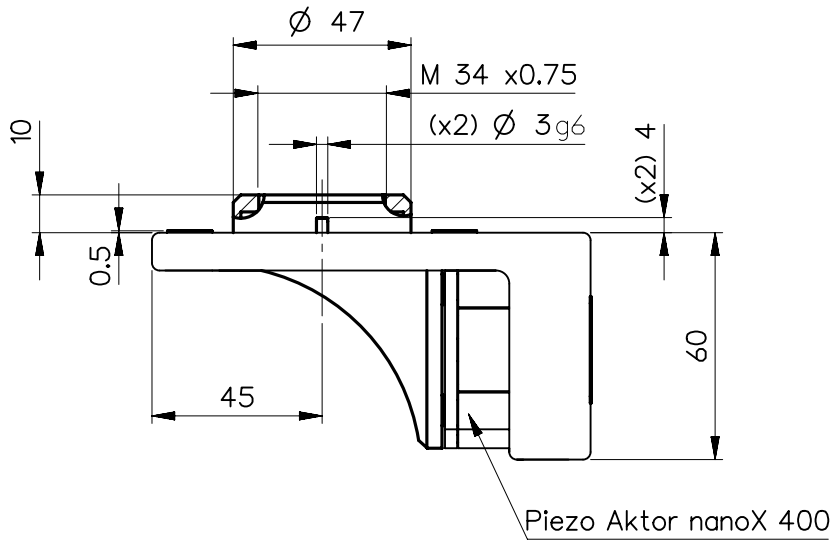
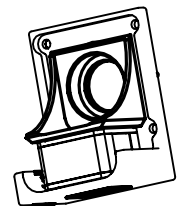
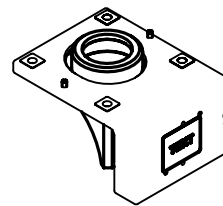


order number 4401-535-822-01

Abmaße [μm]
 PASSUNGEN: unten oben
 3 g6 -8 -2
 GEWINDE: Qualität
 M 34x0.75 -



Specifications (Piezo Aktor)
 travel range: $\pm 200 \mu\text{m}$
 travel speed: $400 \mu\text{m} / 210 \text{msec}$
 resolution in x: 20nm
 repeatability in x: 80nm
 max. load 1000g



NX PROTECTIVE NOTE "DIN ISO 16016" TO BE OBSERVED	EU-D		AL-T1A		US-D		US-ML		not export controlled		
	REV	ECC	DATE	APPROVED	GENERAL TOLERANCE OF DIMENSION, FORM, POS. ± 0.1	SURF. TREATMT	PDM Status Freigabe		Q Internal Use		
	a	Neuausg	23.06.16	Labarte			SCALE 1:2 (1:5)		MATERIAL		
	b	17-0507	17-07-17	Labarte	BASIC TOLERANCING PRINCIPLE ISO 8015		TITLE AZ: AF-Objektiveinheit (high)				
				FIRST	DATE	NAME					
				ISSUE	22.06.16	Labarte					
						CHKD	22.06.16	Schaeffler	DRAWING NO.		
								4401-535-100-01-0001b		SHEET 1	
								REPLACES		OF 1	
DIN A 4 ALL DIMENSIONS ARE IN MM AND INCLUDE SURFACE TREATMENT											