

Fluorescence upper cube holder

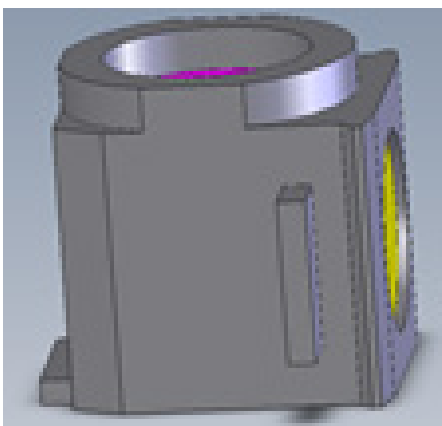
The upper Fluorescence cube is similar to the Lower one 35-07-04-000 except the side port is used to direct an image or color to another camera. The green dovetails are dimensionally the same as all the other FUSION dovetails so where it is inserted is not confined to a single location.

Several customers have used these above a LOWER Function Module or Zoom to direct different wavelengths to several cameras. It would be used similar to the 50/50 cube except for the wavelength separation from the inner dichroic filter positioned at 45 degrees. The design is made for the Zeiss 91029 type cube that can also be fitted with an additional filter on each side of the dichroic.

Removing the side plate allows access to the mounting location for the Zeiss 91029 type inner cube seen on the right, which is customer supplied. Normally this accessory is checked at the factory with a 50/50 reflection and the customer just adds their own cube after they take delivery of the FUSION system.

Fluorescence upper cube holder

Product	Part No.
Fluorescence upper cube holder	35-07-04-000



Contact Qioptiq today:
www.qioptiq.com
vision@qioptiq.com

Europe
Phone: +49 (0) 89 255 458-0

North America
Phone: +1 800 724 4274

Asia Pacific
Phone: +65 6499 7766