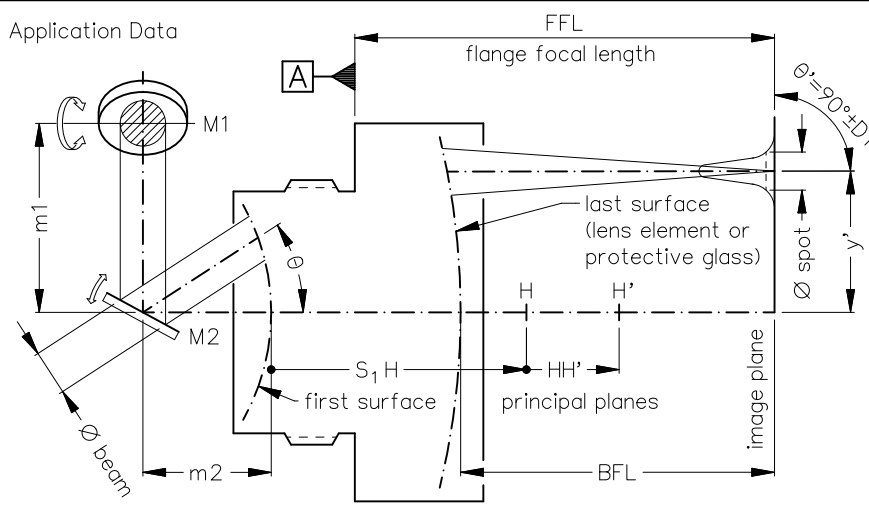


Dimensions without tolerances are nominal values.

$1/e^2$ at $\varnothing_{\text{beam}} = 10$



ON 4575-9351			
λ	(nm)	355	
EFL	(mm)	166.9	
BFL	(mm)	255.8	
S1H	(mm)	107.5	
HH'	(mm)	100.5	
$2 \cdot \theta$	(deg.)	32	
$2 \cdot y'$	(mm)	95.7	
$\varnothing_{\text{beam}}$	(mm)	10	
$\varnothing_{\text{spot}}$	(μm)	13	
FFL	(mm)	374.1	
DT+*)	(deg.)	0.5	
m1 *)	(mm)	13	
m2 *)	(mm)	48	
mass	(g)	2500	

+) maximum Deviation from Telecentricity *) recommended mirror distances

Date: 14-Sep-11 User: infodba Time: 13:32 Node: skipper

NX	EU-D	AL-T1A	US-D	US-ML	not export controlled
				PDM Status Freigabe	unrestricted
PROTECTIVE NOTE "DIN ISO 16016" TO BE OBSERVED	REV	ECC	DATE	APPROVED	GENERAL TOLERANCE OF DIMENSION, FORM, POS.
	a	Neuausg			
	b	11-334	28.07.11	Bo II	
	c	11-334	06.09.11	Bo II	
				BASIC TOLERANCING PRINCIPLE	TITLE
				FIRST ISSUE	F-Theta telez. 167 mm
				DATE	with protective glass
				NAME	
				Bo II	
				CHKD	
				08.06.11	
				Koppitz	
DIN A 4	ALL DIMENSIONS ARE IN MM AND INCLUDE SURFACE TREATMENT			QIOPTRON	DRAWING NO. 4401-511-000-21-0002c
					SHEET 2 OF 2
					REPLACES