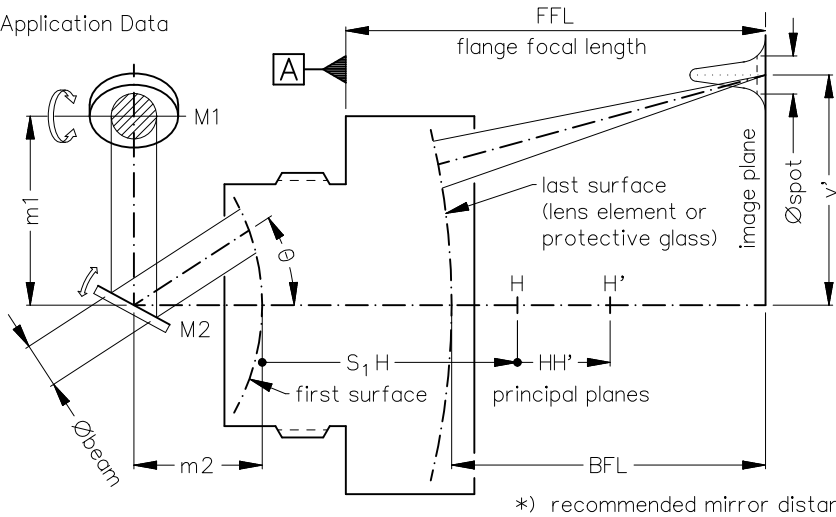


Application Data



\*) recommended mirror distances

ON 4575-9451

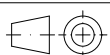
λ (nm)	980		
EFL (mm)	99.1		
BFL (mm)	102.4		
S1H (mm)	28.8		
HH' (mm)	14.8		
2 · θ (deg.)	35		
2 · y' (mm)	60.5		
Øbeam (mm)	14		
Øspot (µm)	14		
FFL (mm)	105.0		
m <sub>1</sub> *) (mm)	17		
m <sub>2</sub> *) (mm)	18		
mass (g)	365		

Date: 28-Mar-13  
Time: 11:38  
User: infodba

<b>NX</b> PROTECTIVE NOTE "DIN ISO 16016" TO BE OBSERVED	EU-D	AL-T1A	US-D	US-ML	not export controlled
	REV	ECC	DATE	APPROVED	PDM Status Freigabe
	a	Neuausg			-
	b	13-0256	13.11.12	Bo11	
			GENERAL TOLERANCE OF DIMENSION, FORM, POS.	SCALE 1:1 (2:1)	
			---	MATERIAL	
			BASIC TOLERANCING PRINCIPLE	TITLE	
			---	<b>F-Theta-Ronar f=100mm</b>	
			FIRST ISSUE	DATE	NAME
			09.05.12	09.05.12	Bo11
			CHKD	09.05.12	Riegg
				DRAWING NO.	
				<b>4401-528-000-21-0002b</b>	SHEET OF
				REPLACES	

DIN A 4

ALL DIMENSIONS ARE IN MM AND INCLUDE SURFACE TREATMENT



DRAWING NO. 4401-528-000-21-0002b SHEET OF