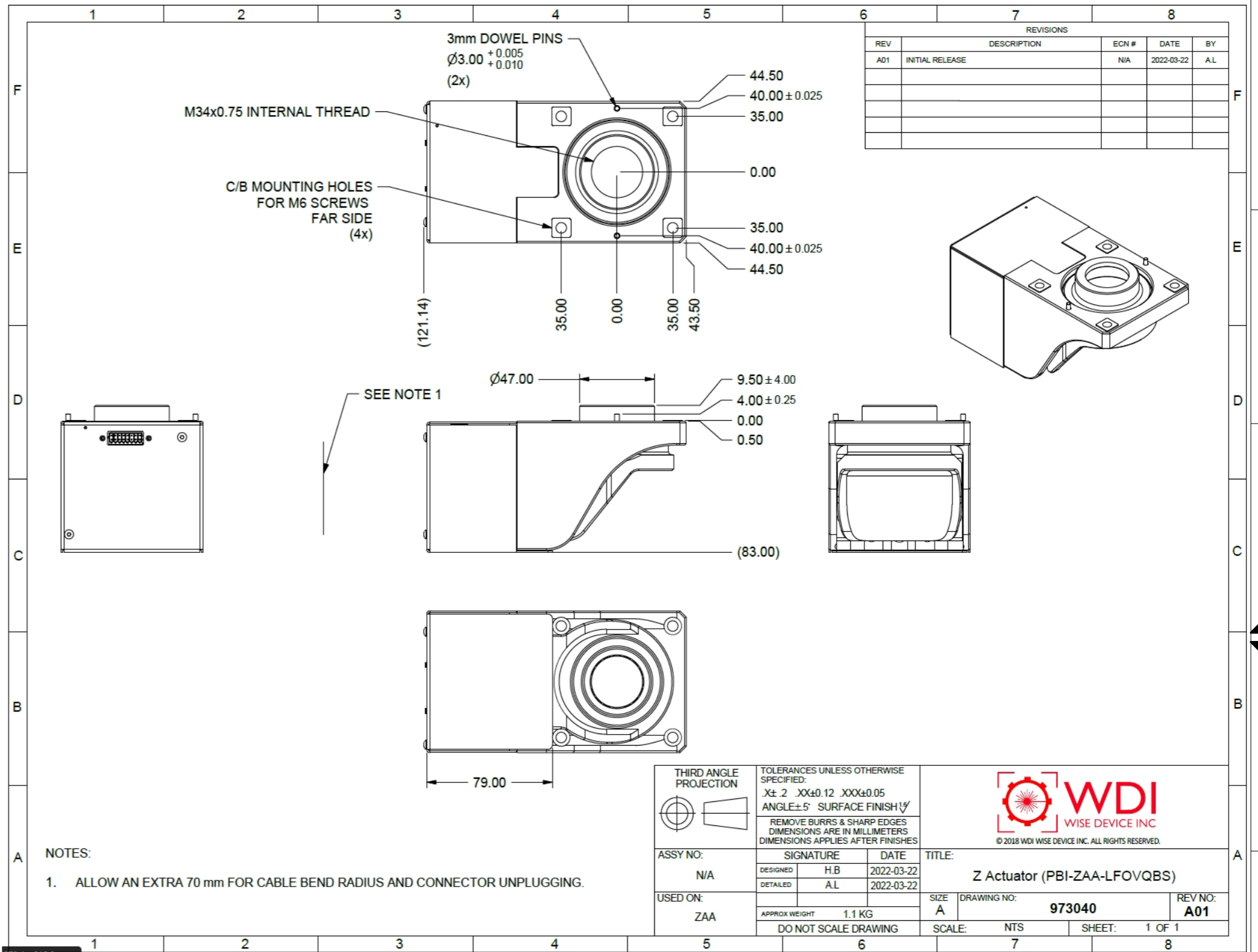
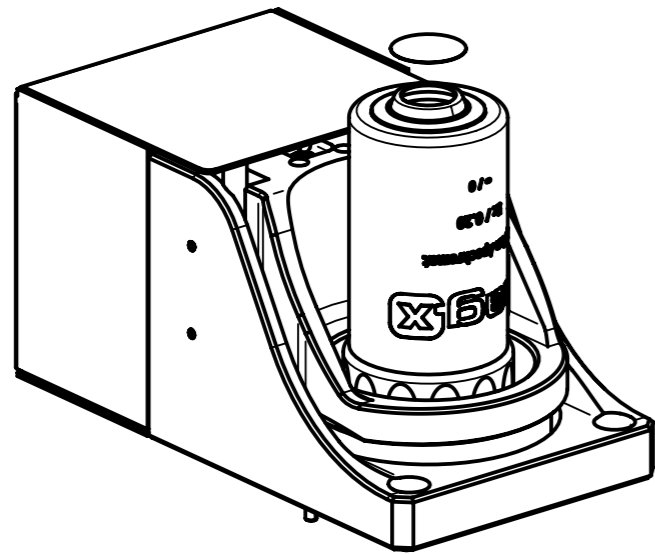


PROTECTIVE NOTE "DIN ISO 16016" TO BE OBSERVED
EXCELITAS TECHNOLOGIES CONFIDENTIAL AND PROPRIETARY NOT FOR EXTERNAL DISTRIBUTION
UNLESS COVERED BY A VALID NON-DISCLOSURE AGREEMENT



Specification - WDI - PBI-ZAxisActuator
 manufacturer: WiseDeviceInc., Canada
 type: PBI-ZAA-LFOVQBS
 motion type: stepper
 travel stroke: ± 4 mm
 max. speed: 10 mm/s
 max. acceleration: 350 mm/s²
 max. resolution: 0.04 μm/step
 max. load: 1 kg
 weight: 1 kg

Compatible AF sensor: PFA-SYS-785 (2421-006-232-00)
 Connection cable to sensor: CAB-PFA-ZAA, 580mm (2421-006-234-00)
 Cable for stand alone use: CAB-PFA-PWR/COM, 1800mm (2421-006-235-00)

EU-D		AL-T1A		US-D		US-ML		not export controlled	
REV		DATE		GENERAL TOLERANCE OF DIMENSION, FORM, POS.		SCALE		PDM-Status	
a		16.06.23		Götz		1:2		Freigabe	
APPR.		Götz		SURF. TREATMT		MATERIAL		-	
Götz						# 973040			
BASIC TOLERANCING PRINCIPLE		FIRST		DATE		TITLE			
		ISSUE		16.06.23		ZAktuator PBI-ZAA-LFOVQBS			
		CHKD		16.06.23		Neumann			
ALL DEMENSIONS ARE IN MM AND INCLUDE SURFACE TREATMENT		DRAWING NO.		SHEET		2421-006-233-00-0002a		1	
		REPLACES		OF				1	