

LINOS Motorized Beam Expander

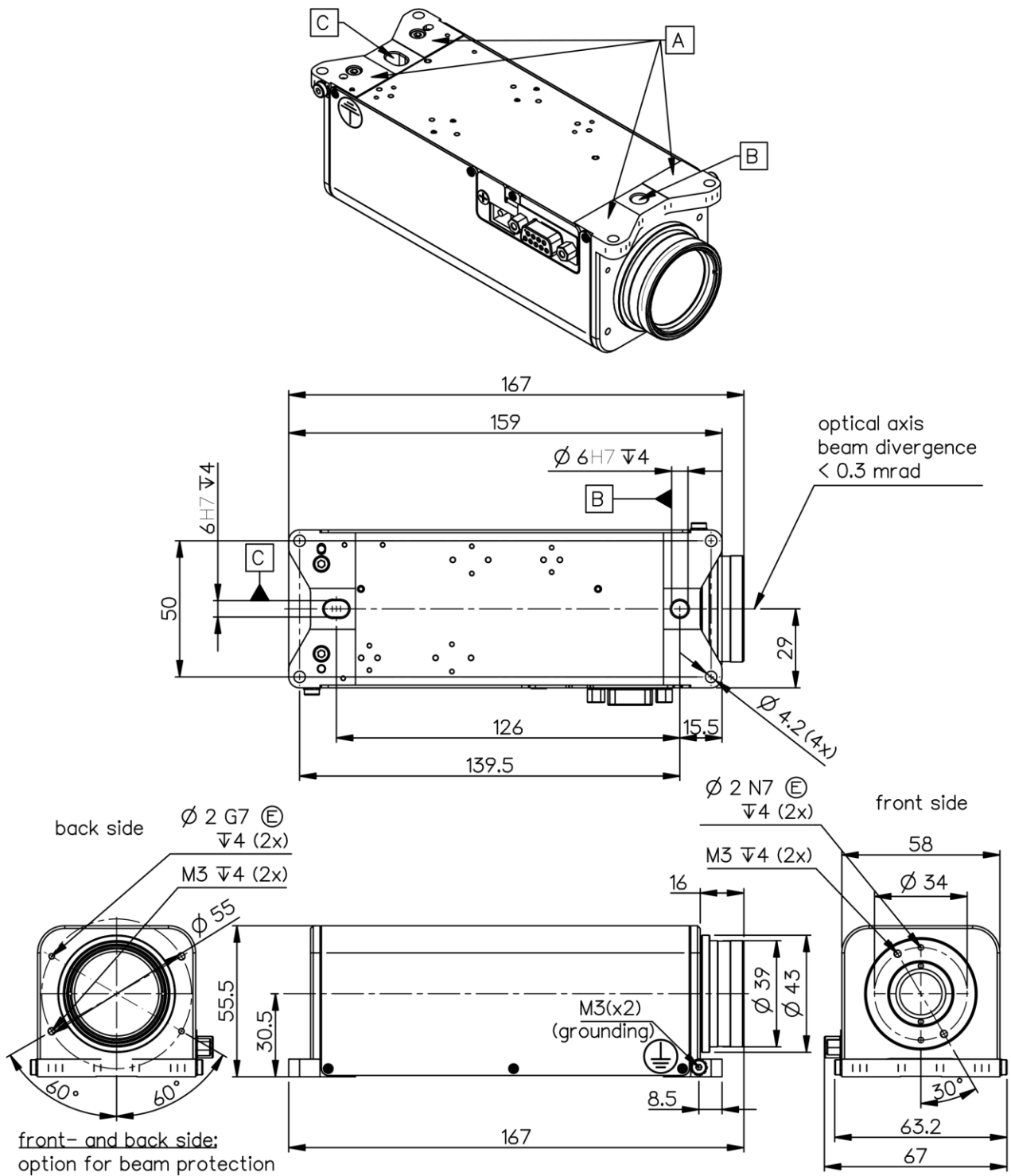
1x - 4x, 340 - 360nm, fused silica



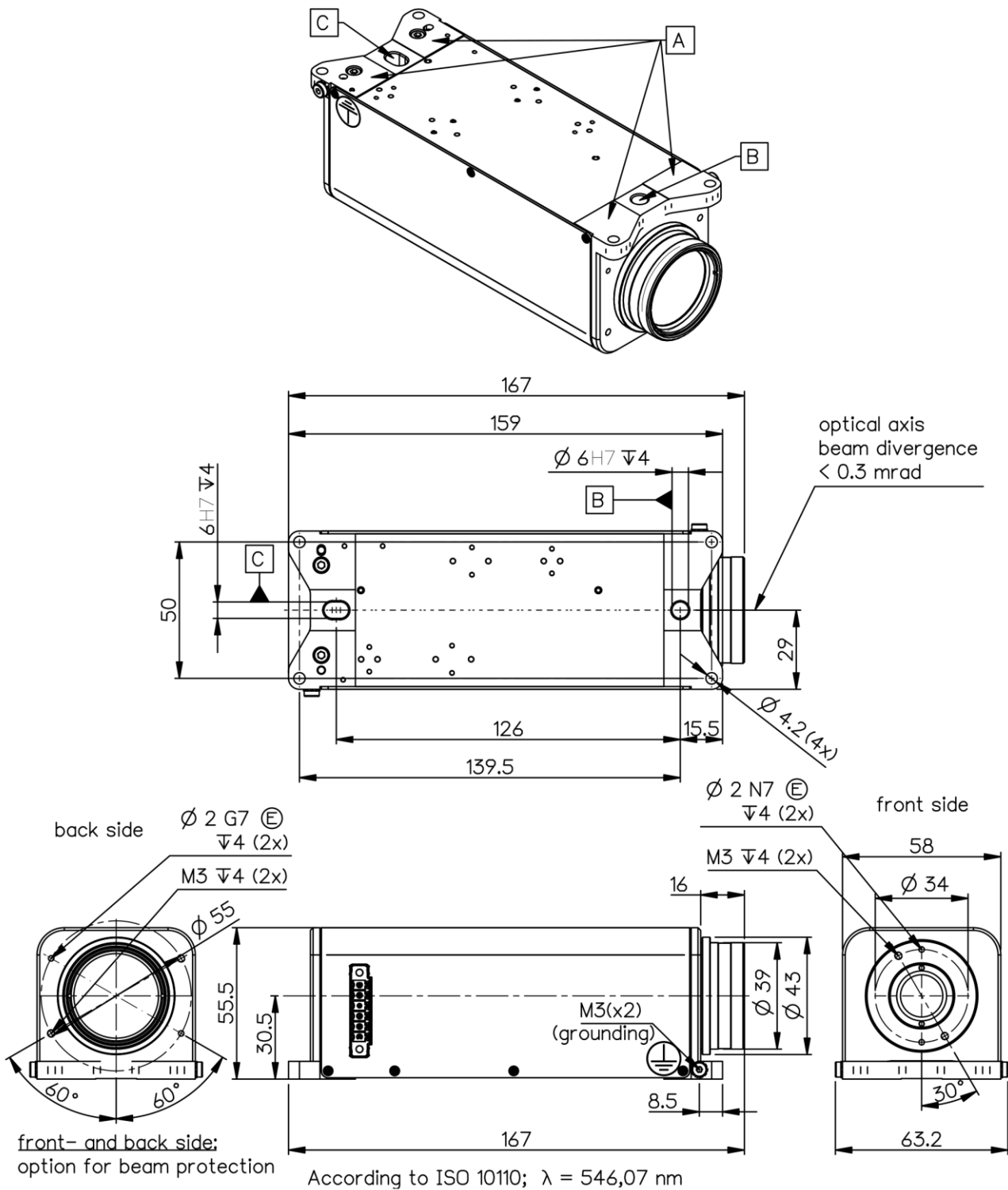
Part number	4401-596-000-20 4401-596-000-21 4401-596-000-22		
Design wavelength	λ	(nm)	355
Expansion	Γ'		1x - 4x
Lens material			Fused Silica
Material			Aluminum, colorless anodized; Premium Steel
Mechanical entrance aperture diameter		(mm)	8.7
Max. entrance beam diameter ($1/e^2$) for magnification $1.0 \leq \Gamma \leq 3.0$	$E_{max} \emptyset$	(mm)	8.0
Max. entrance beam diameter ($1/e^2$) for magnification $3.0 \leq \Gamma \leq 3.5$	$E_{max} \emptyset$	(mm)	7.0
Max. entrance beam diameter ($1/e^2$) for magnification $3.5 < \Gamma \leq 4.0$	$E_{max} \emptyset$	(mm)	6.25
Max. exit beam diameter ($1/e^2$)		(mm)	25
Max. mechanical exit aperture		(mm)	31
Pointing Stability		(mrad)	< 0.3
Group delay dispersion at λ	GDD	(fs ²)	3114
Total transmission @ 340-360nm	T	(%)	> 96
LIDT coating @ 355nm, 6ns, 100Hz		(J/cm ²)	4
Weight		(kg)	0.90
Protective glass	PG		4401-516-006-00
Interface/protocol: 4401-596-000-20			SubD9 / RS232
Interface/protocol: 4401-596-000-21			Phoenix Contact / RS232
Interface/protocol: 4401-596-000-22			USB 2.0

Subject to technical change

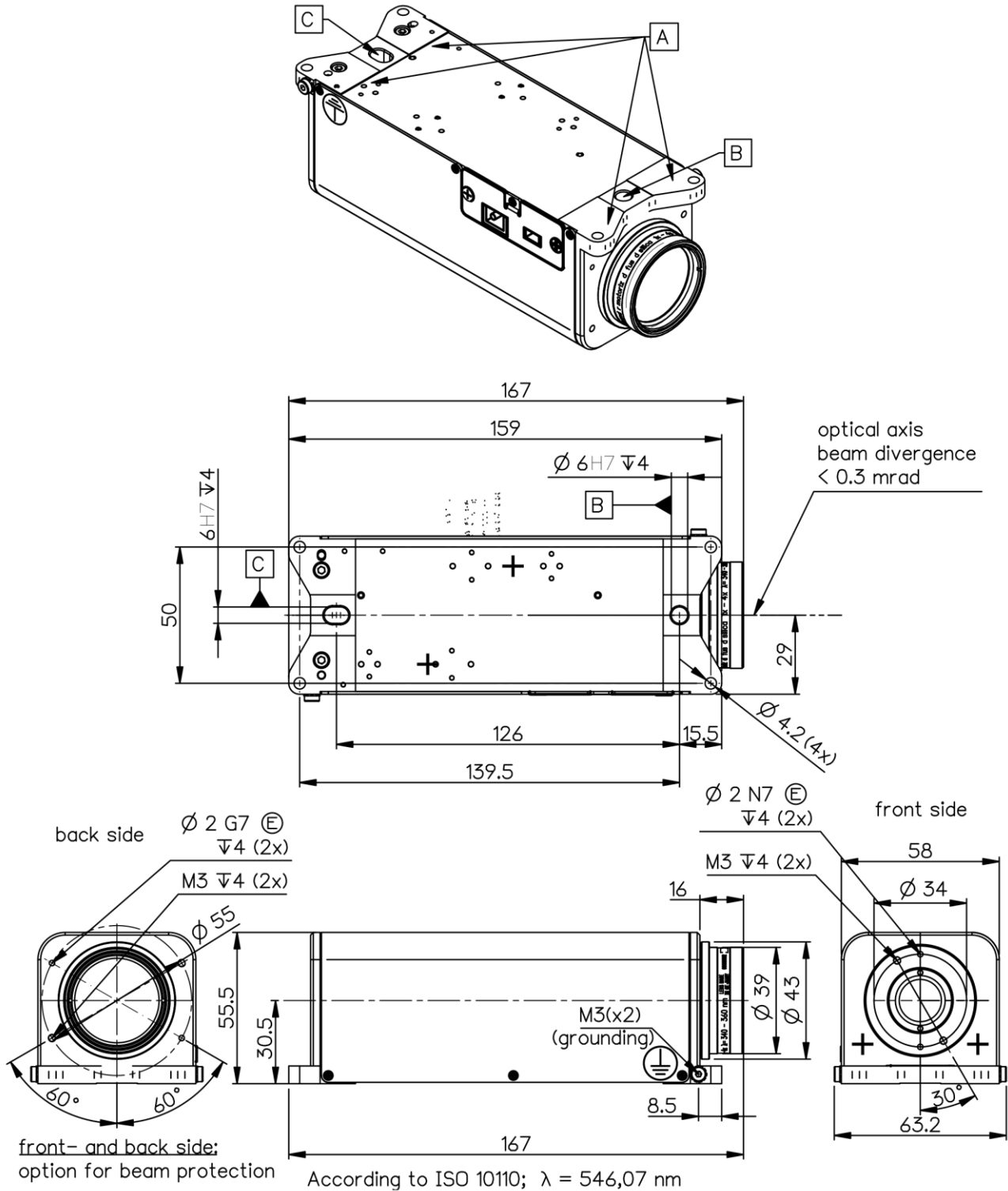
Mechanical drawing: 440-596-000-20



Mechanical drawing: 440-596-000-21



Mechanical drawing: 440-596-000-22



Notes



For technical explanations, see our homepage.