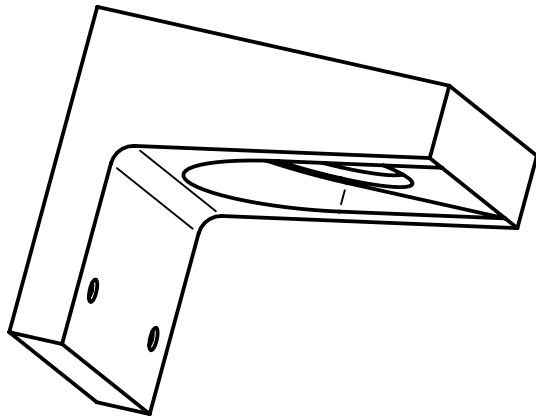
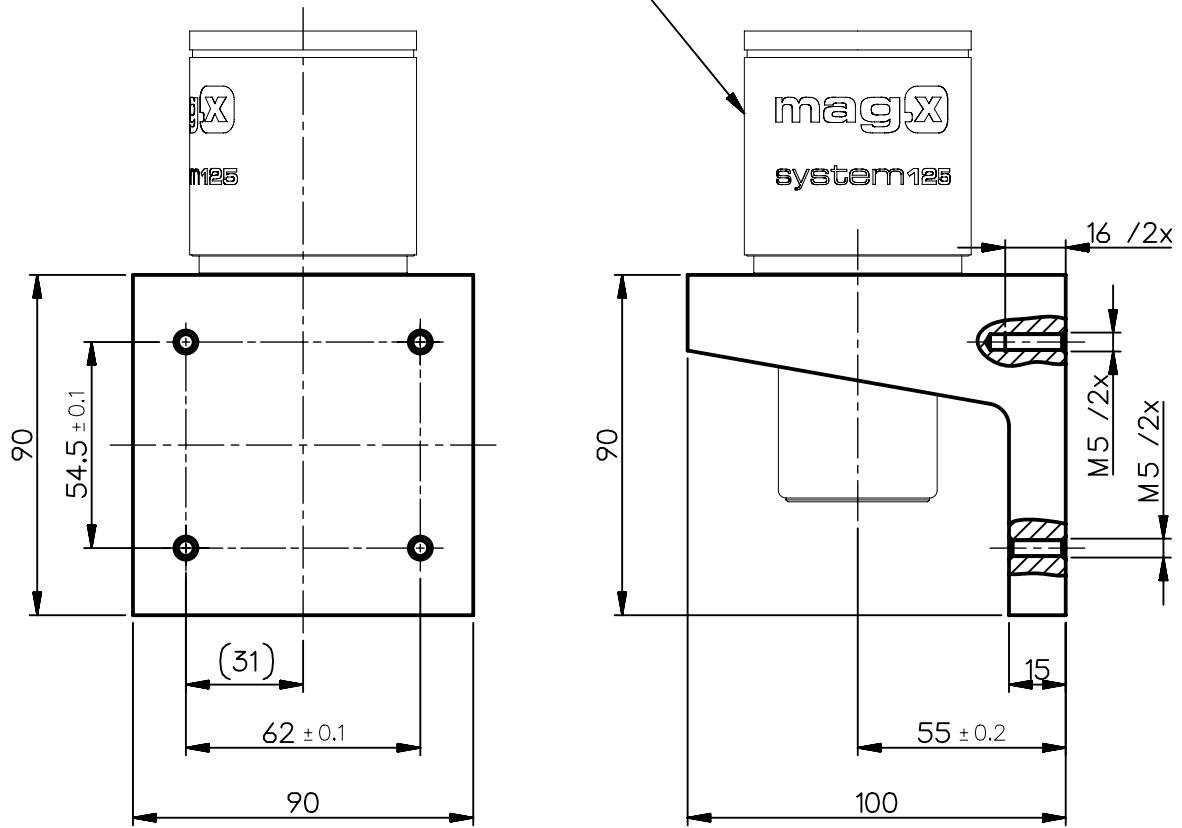


direct adapter (G192-009-000)
is not included in delivery



NX	EU-D		AL-T1A		US-D		US-ML		not export controlled		
							PDM Status Freigabe		-		
PROTECTIVE NOTE "DIN ISO 16016" TO BE OBSERVED	REV	ECC	DATE	APPROVED	GENERAL TOLERANCE OF DIMENSION, FORM, POS. ISO 2768-mH	SURF. TREATMT	SCALE 1:2		MATERIAL		
	a	Neuausg	18.03.16	Bo11			aluminium anodises, black		TITLE		fixture for direct adapter
					BASIC TOLERANCING PRINCIPLE ISO 8015						
					FIRST ISSUE	DATE	NAME				
					CHKD	22.03.16	Frick				
DIN A 4	ALL DIMENSIONS ARE IN MM AND INCLUDE SURFACE TREATMENT							DRAWING NO. 4401-535-138-00-0002a		SHEET 1 OF 1	
								REPLACES			