

Order number: 2421-004-362-00

Specification - WDI - Controller MCX - for ZAxisActuator:

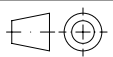

manufacturer: WiseDeviceInc., Canada
 type: MCX
 supply voltage: 20 - 28 VDC; max. 2.0 Amps

NO power supply included!

interface: RS232

weight: 0.4kg

note: kit includes cables and connectors

NX	EU-D		AL-T1A		US-D		US-ML		not export controlled			
							PDM Status Freigabe		Q Internal Use			
PROTECTIVE NOTE "DIN ISO 16016" TO BE OBSERVED	REV	ECC	DATE	APPROVED	GENERAL TOLERANCE OF DIMENSION, FORM, POS. ISO 2768-mH	SURF. TREATMT	SCALE -		MATERIAL 976000 TITLE Controller (CTR-MCX) Kit proposal drawing			
	b	20-0212	26.02.20	Hornbog								
						BASIC TOLERANCING PRINCIPLE ISO 8015						
						FIRST ISSUE	DATE	NAME				
						CHKD	19.02.20	Hornbogner				
							CHKD	19.02.20	Neumann			
DIN A 4	ALL DIMENSIONS ARE IN MM AND INCLUDE SURFACE TREATMENT			 		DRAWING NO. 2421-004-362-00-0002b				SHEET 2 OF 2		
	REPLACES											