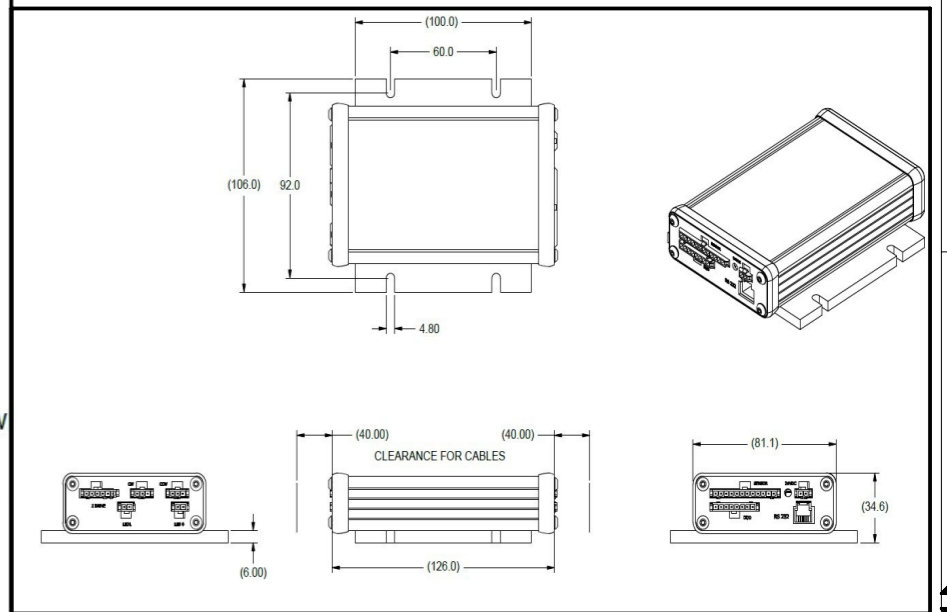


- NOTES:
1. ALLOW AN EXTRA 60 mm FOR CABLE BEND RADIUS AND CONNECTOR UNPLUGGING.
  2. MOUNTING SCREWS MUST NOT PROTRUDE INTO THE BODY MORE THAN 4mm TO AVOID ANY INTERFERENCE WITH THE INTERNAL COMPONENTS.
  3. THESE SET SCREWS, LOCKING AND ADJUSTING SCREWS MUST BE ACCESSIBLE AFTER INSTALLATION FOR THE FINAL, IN FIELD, CALIBRATION OF THE SENSOR.



sensor

controller

Order number: 2421-004-364-00

Specification - WDI - Autofocus sensor kit ATF6 SYS 785:  
 manufacturer: WiseDeviceInc., Canada  
 sensor type: ATF6 SYS  
 wavelength: 785 nm  
 controller: WDI - MCZ  
 20 - 28 VDC; max. 2.0 Amps  
 interface: RS232  
 weight: 0.25 kg (sensor)  
 0.4 kg (controller)  
 note: kit includes controller, cables and connectors  
 NO power supply included!  
 compatible actuator: 2421-004-809-00

NX	EU-D		AL-T1A		US-D		US-ML	not export controlled
	REV	ECC	DATE	APPROVED	GENERAL TOLERANCE OF DIMENSION, FORM, POS.	SURF. TREATMT	PDM Status	Freigabe
PROTECTIVE NOTE "DIN ISO 16016" TO BE OBSERVED	b	20-0210	26.02.20	Hornbog	ISO 2768-mH		SCALE	-
							MATERIAL	922700
					BASIC TOLERANCING PRINCIPLE		TITLE	Autofokus-Kit ATF6 SYS 785
					ISO 8015			proposal drawing
					FIRST DATE NAME			
DIN A 3					ISSUE	18.02.20	Hornbogner	
					CHKD	18.02.20	Neumann	
ALL DIMENSIONS ARE IN MM AND INCLUDE SURFACE TREATMENT							DRAWING NO.	2421-004-364-00-0002b
							REPLACES	
								SHEET 2 OF 2