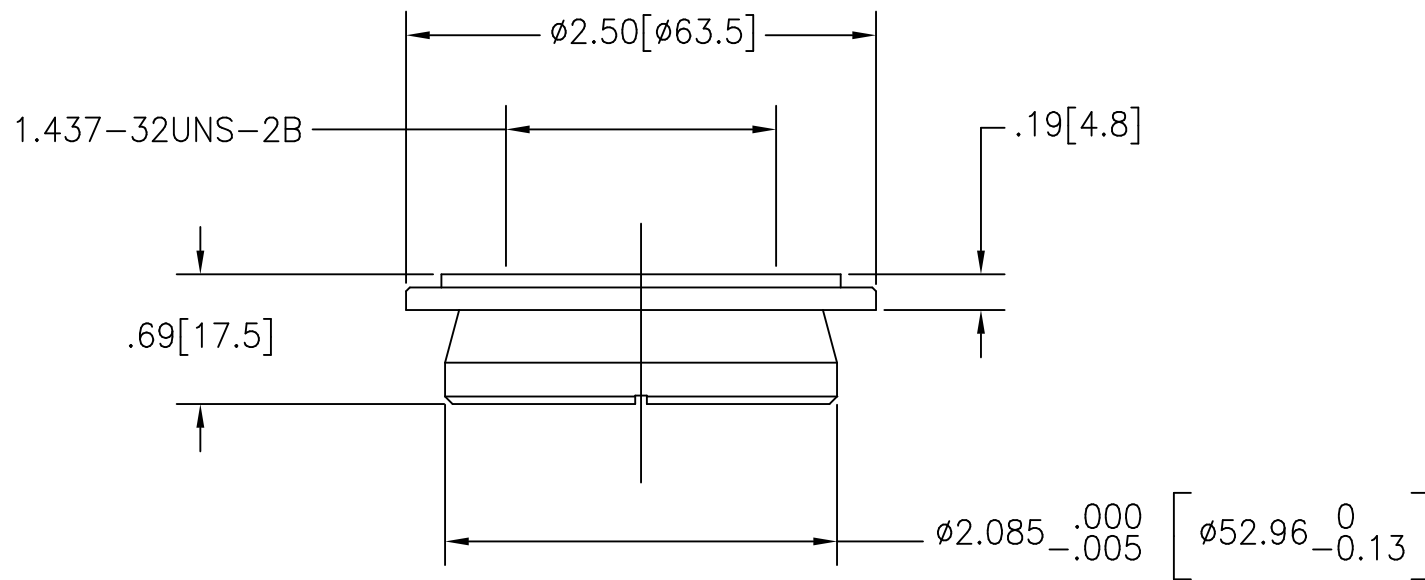


29-69-21 RING LIGHT ADAPTER



REV B 5/15/11