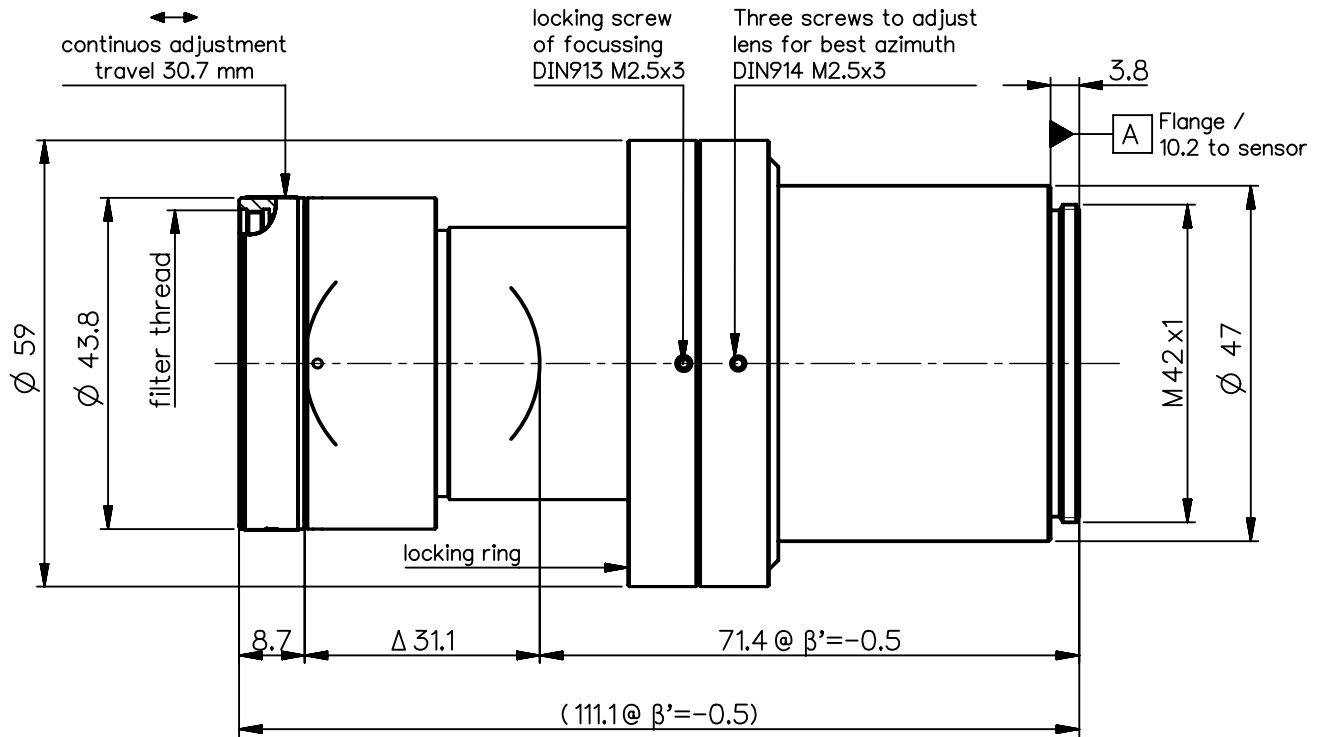


order number	lens name	f-stop
0703-120-000-25	Rodagon M42 4/60	4
0703-120-000-26	Rodagon M42 5.6/60	5.6
0703-120-000-27	Rodagon M42 8/60	8



Specification		ON	7441-9001		
image circle max. (mm)	44	working distance (mm)	159 - 1275		
focal length f' (mm) *	62	interface	M42x1		
magnification β' [range]	-0.25 [-0.5 ... -0.033]	filter thread	M40.5x0.5		
spectral range λ (nm)	400 - 750	weight (g)	230		
schematic diagram		design includes CCD cover glass: no			
		SF (mm)	-44.1	f-stop	4
		S'F' (mm) *	46.9	\varnothing EnP	15.5
		HH' (mm) *	-2.0	\varnothing Exp	15.6
		SH (mm)	17.9		
		S'H' (mm) *	-15.1		
		S'EnP (mm)	17.5		
		S'Exp (mm) *	-15.6		

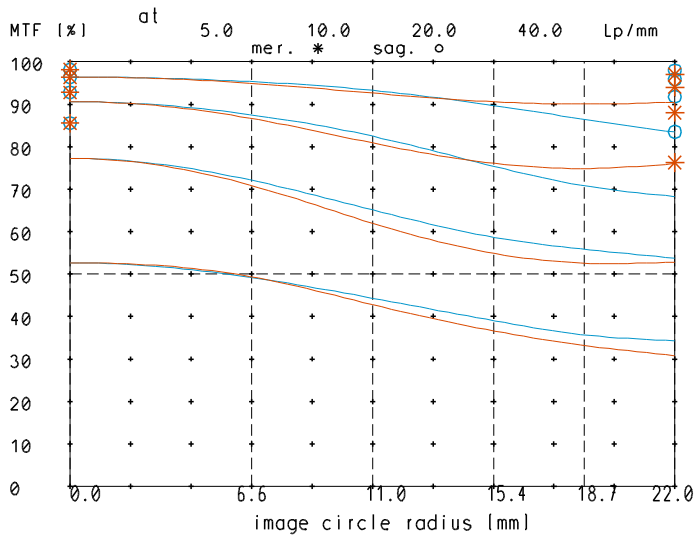
NX PROTECTIVE NOTE "DIN ISO 16016" TO BE OBSERVED	EU-D	AL-T1A	US-D	US-ML	not export controlled
	REV	ECC	DATE	APPROVED	GENERAL TOLERANCE OF DIMENSION, FORM, POS.
	a	Neuausg	11.03.15	Bo II	
	BASIC TOLERANCING PRINCIPLE				
TITLE					
Rodagon M42 60mm					
DRAWING NO.					
0703-120-100-00-0001a					
REPLACES					
SHEET 1 OF 1					

DIN A 4
 ALL DIMENSIONS ARE IN MM AND INCLUDE SURFACE TREATMENT

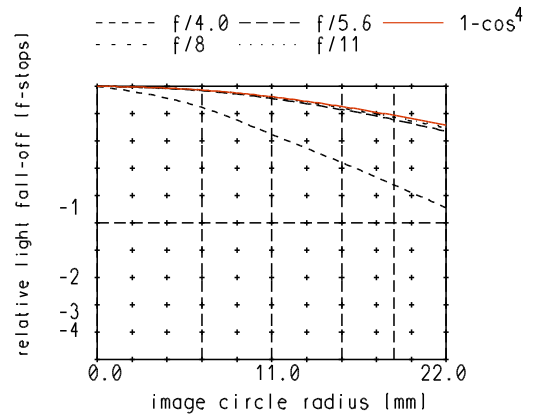


Rodagon-M42_4/60

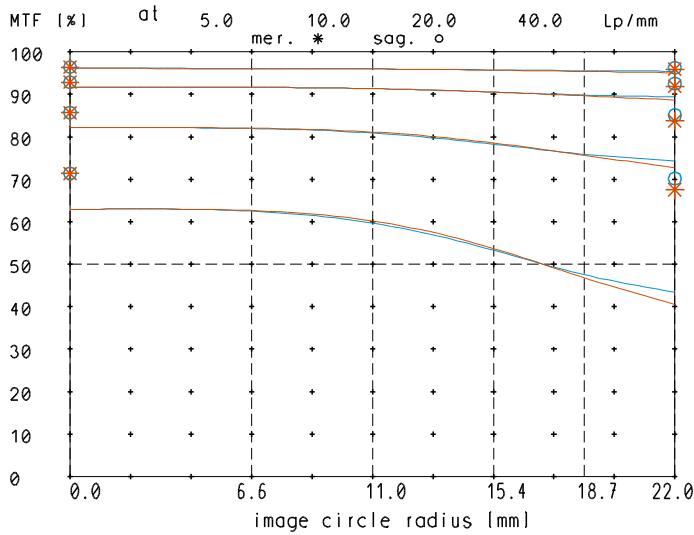
MTF at ratio -0.25 f/ 4.0



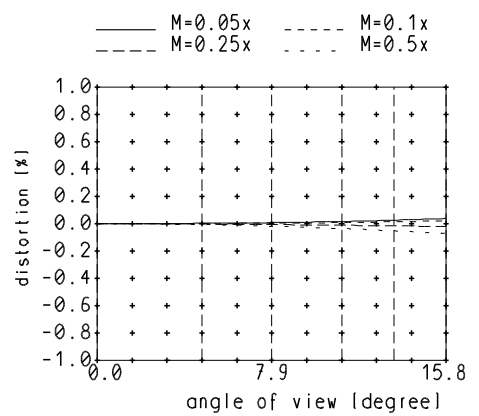
relative light fall-off at ratio -0.25



MTF at ratio -0.25 f/ 8.0

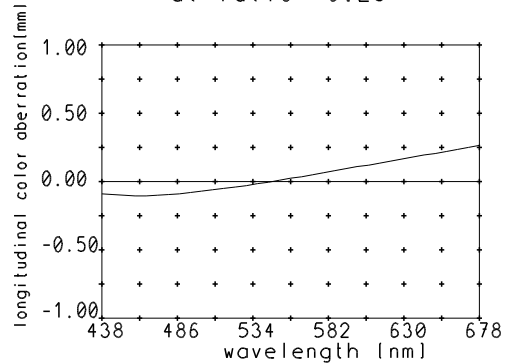


Distortion at ratio 0.05x to 0.5x



— sagittal. o Diffraction limited value
— meridional * Diffraction limited value

Longitudinal color aberration at ratio -0.25



Named frequencies (line pairs/mm) in modular transfer function (MTF) as well as diagrams of relative light fall-off, distortion and longitudinal color aberration refer to film plane.