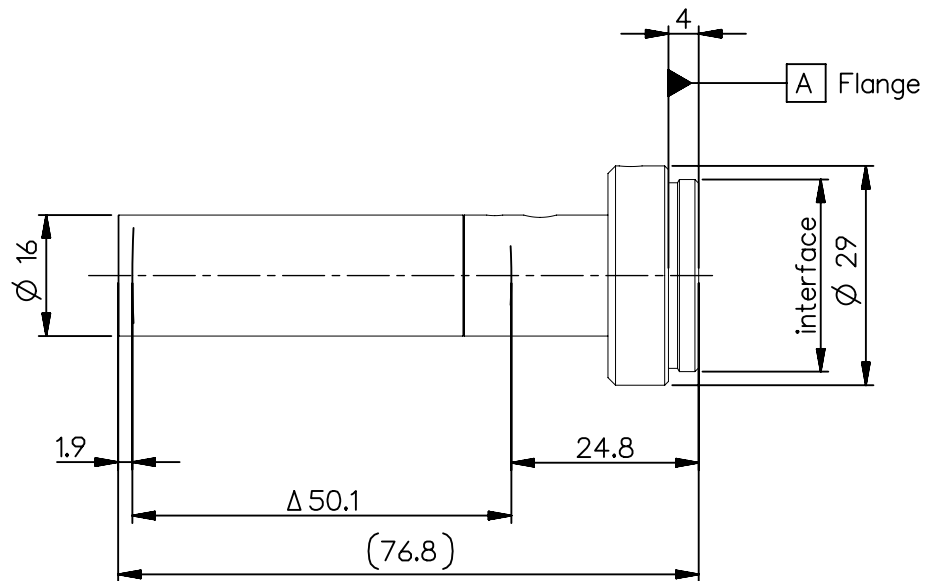


order number	lens name	f-stop
0009-193-000-40	Macro-CCD-Lens -2x	4.4



Specification		ON	
image circle max. (mm)	11	working distance (mm)	75
focal length f' (mm)	25.6	interface	C-mount
magnification β' [range]	-2	filter thread	-
spectral range λ (nm)	400 - 750	weight (g)	40
schematic diagram *) in air 		design includes CCD cover glass: no	
		SF (mm)	-64.2
		S'F' (mm) *)	-12.7
		HH' (mm) *)	50.5
		SH (mm)	-38.7
		S'H' (mm) *)	-38.3
		SEnP (mm)	
		S'ExP (mm) *)	
		f-stop	
		Ø EnP	
		Ø ExP	

NX PROTECTIVE NOTE "DIN ISO 16016" TO BE OBSERVED	EU-D		AL-T1A		US-D		US-ML		not export controlled	
							PDM Status Freigabe		-	
	REV	ECC	DATE	APPROVED	GENERAL TOLERANCE OF DIMENSION, FORM, POS.	SURF. TREATMT	SCALE 1:1		MATERIAL TITLE Macro-CCD-Lens 2x	
	a	Neuausg								
b	11-0358	20.07.11	Kuehne							
c	14-0184	17.09.14	Schiff e							
d	17-0915	05.12.17	Denk	BASIC TOLERANCING PRINCIPLE						
						FIRST ISSUE	DATE	NAME		
						CHKD	17.09.14	Schifferer		
								Stauder		
										DRAWING NO.
										0009-193-100-40-0001d
										SHEET 1
										OF 1
										REPLACES

DIN A 4

ALL DIMENSIONS ARE IN MM AND INCLUDE SURFACE TREATMENT

