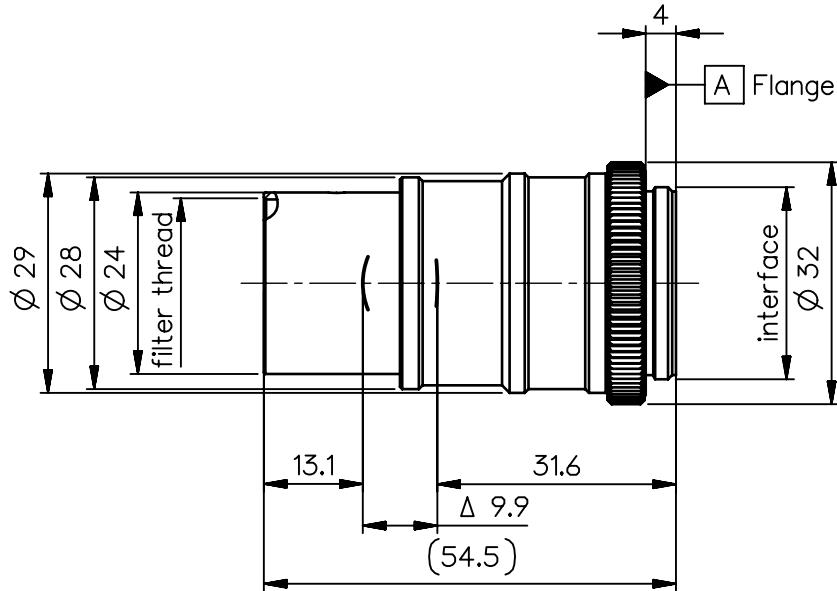


order number	lens name	f-stop
0009-191-000-40	Macro-CCD-Lens -0.5x 5.6	5.6
0009-191-000-41	Macro-CCD-Lens -0.5x 8	8



Specification		ON	
image circle max. (mm)	11	working distance (mm)	90
focal length f' (mm)	35.1	interface	C-mount
magnification β' [range]	-0.5	filter thread	M22.5 x0.5
spectral range λ (nm)	400 - 750	weight (g)	55

schematic diagram		*) in air		design includes CCD cover glass: no	
		SF (mm)	-33.3	f-stop	
		S'F' (mm) *)	27.7	Ø EnP	
		HH' (mm) *)	0.7	Ø Exp	
		SH (mm)	1.8		
		S'H' (mm) *)	-7.4		
		SEnP (mm)			
		S'Exp (mm) *)			

NX PROTECTIVE NOTE "DIN ISO 16016" TO BE OBSERVED	EU-D		AL-T1A		US-D		US-ML		not export controlled	
							PDM Status Freigabe		-	
	REV	ECC	DATE	APPROVED	GENERAL TOLERANCE OF DIMENSION, FORM, POS.		SCALE			
	a	neu					MATERIAL			
	b	08-0281	24.11.08	Strozew						
	c	11-0358	20.07.11	Kuehne						
	d	14-0184	21.08.14	Schiffe	BASIC TOLERANCING PRINCIPLE		TITLE			
e	14-0184	17.08.15	Hornbog			Macro-CCD-Lens 0.5x				
f	17-0915	05.12.17	Denk			FIRST DATE NAME				
						ISSUE 21.08.14 Schifferer				
						CHKD 21.08.14 Stauder				
								DRAWING NO.		
								0009-191-100-00-0001f		
								SHEET 1		
								OF 1		
								REPLACES		
DIN A 4 ALL DIMENSIONS ARE IN MM AND INCLUDE SURFACE TREATMENT										