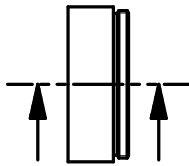
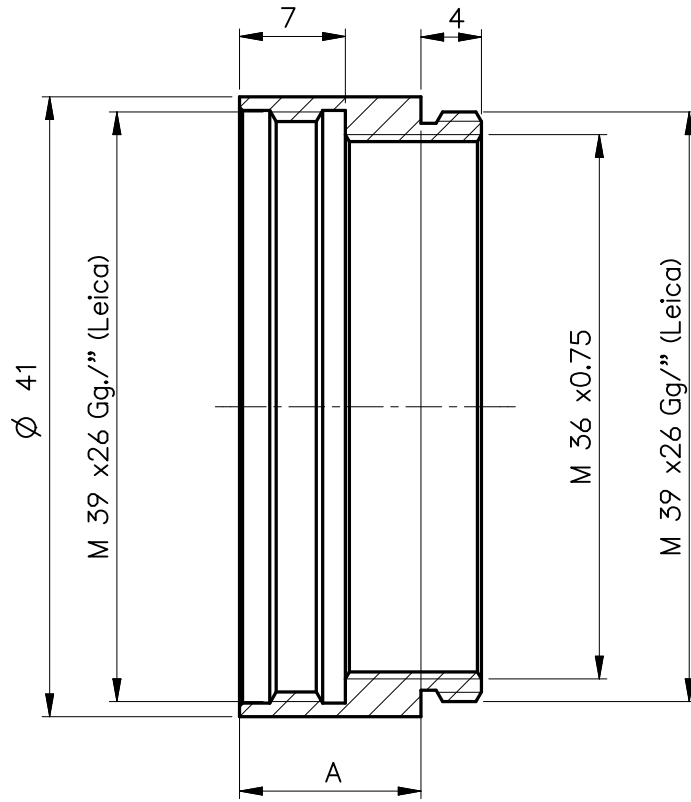


Date: 07-Oct-11 User: infodba
Time: 10:52 Node: skipper



Part number	A (mm)
2408-021-108-00	12
2408-021-109-00	24
2408-021-110-00	48
2408-021-111-00	120

NX	EU-D	AL-T1A	US-D	US-ML	not export controlled	
				PDM Status Freigabe	unrestricted	
PROTECTIVE NOTE "DIN ISO 16016" TO BE OBSERVED	REV	ECC	DATE	APPROVED	GENERAL TOLERANCE OF DIMENSION, FORM, POS. ISO 2768-mH	
	a	Neuausg			SURF. TREATMT black, anodised	
					BASIC TOLERANCING PRINCIPLE ISO 8015	
				FIRST ISSUE	DATE	NAME
				28.04.09	28.04.09	Labarte
			CHKD	28.04.09	Schaeffler	
					TITLE Extension tube M39	
DIN A 4	ALL DIMENSIONS ARE IN MM AND INCLUDE SURFACE TREATMENT					
				DRAWING NO. 2408-021-100-44-0001a	SHEET 1 OF 1	
				REPLACES		