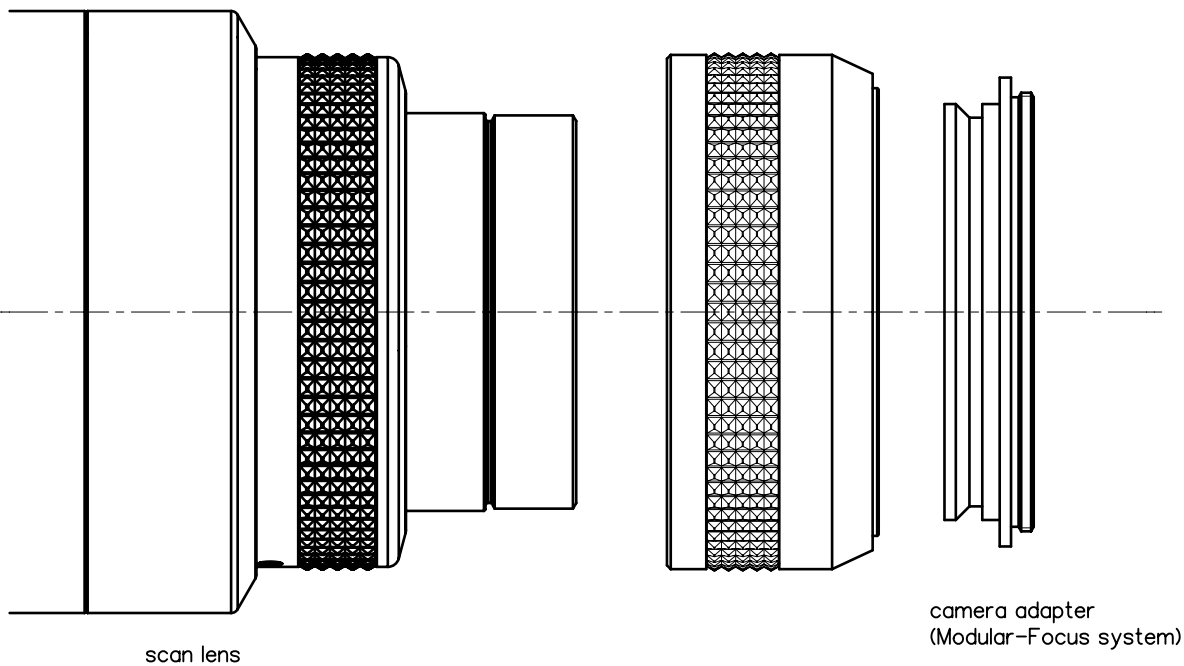


order number 2408-021-000-46

example of application



NX	EU-D	AL-T1A		US-D	US-ML	not export controlled	
					PDM Status	Freigabe	-
PROTECTIVE NOTE "DIN ISO 16016" TO BE OBSERVED	REV	ECC	DATE	APPROVED	GENERAL TOLERANCE OF DIMENSION, FORM, POS.	SURF. TREATMT	SCALE 1:1
	a	Neuausg	19.07.22	Georgiev			MATERIAL
							TITLE
							Smart Focus HR-M
DIN A 4	ALL DIMENSIONS ARE IN MM AND INCLUDE SURFACE TREATMENT						DRAWING NO.
							2408-021-100-46-0001a
REPLACES							SHEET 1 OF 1